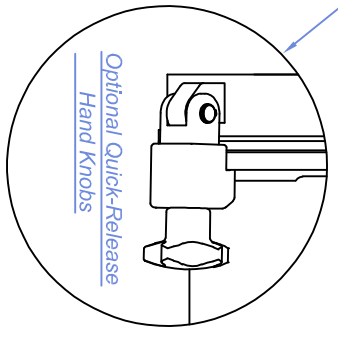



Cartridge	Dim. "A"	Dim. "B"
1 HIGH	25.52"	14.00"
2 HIGH	35.52"	24.00"
3 HIGH	45.52"	34.00"
4 HIGH	55.52"	44.00"

- Notes:
- 1) Material: Housing-316L S/S  
Swing Clamps-304 S/S  
Bolts-Monel  
Weld Wire-317L S/S  
Clamp-304 S/S  
Elastomers- (As Requested)
  - 2) Finish: Interior- (As Requested)  
Exterior- (As Requested)
  - 3) Design Pressure: 150 psig & Full Vacuum @ -20°F/300°F
  - 4) Hydrotest Pressure: 205 psig






**ALLEGHENY BRADFORD CORP.**

This drawing and the design it conveys are the property of Allegheny Bradford Corporation. They are furnished on a confidential basis of which the recipient is to maintain the secrecy. The recipient is to be held responsible for the design and the design will be the property of Allegheny Bradford Corporation. Any reuse or modification without the written consent of Allegheny Bradford Corporation is prohibited.

**TITLE:**  
**(Customer Name Here)**  
**Sanitary 6 Round T-Line Housing**  
- Final Assembly -

**PROJECTION:** 

**TOLERANCE:** .XX ±  
.XXX ±  
ANGLE ± 1°

**TAG NO.:** \_\_\_\_\_  
**P.O. NO.:** \_\_\_\_\_

**SERIAL NO.:** \_\_\_\_\_  
**CALC NO.:** \_\_\_\_\_

**FILE:** UST06.dwg  
**SHEET:** OF

**SCALE:** \_\_\_\_\_

**CHK BY:** \_\_\_\_\_

**NTS**

**UST06**

**REV.**