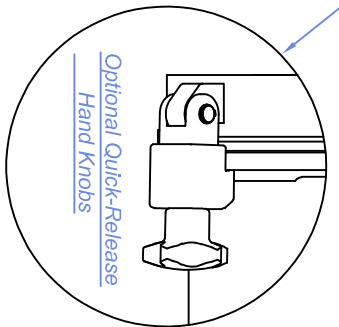


Cartridge	Dim. "A"	Dim. "B"
1 HIGH	31.40"	14.00"
2 HIGH	41.40"	24.00"
3 HIGH	51.40"	34.00"
4 HIGH	61.40"	44.00"

- Notes:
- 1) Material: Housing-316L S/S
Swing Clamps-304 S/S
Bolts-Monel
Weld Wire-317L S/S
Clamp-304 S/S
Elastomers- (As Requested)
 - 2) Finish: Interior- (As Requested)
Exterior- (As Requested)
 - 3) Design Pressure: 150 psig & Full Vacuum @ -20°F/300°F
 - 4) Hydrotest Pressure: 205 psig



ALLEGHENY BRADFORD CORP.

This drawing and the design it conveys are the property of Allegheny Bradford Corporation. They are furnished on a confidential basis, of which the recipient is made aware by the recipient's signature and the date of the design. The recipient shall not disclose the design or its contents to any third party without the written consent of Allegheny Bradford Corporation.

TITLE: _____

(Customer Name Here)

Sanitary 12 Round T-Line Housing

- Final Assembly -

TAG NO.: _____ SERIAL NO.: _____

P.O. NO.: _____ CALC NO.: _____

PROJECTION:

TOLERANCE: .XX ±

XXX ±

ANGLE ± 1°

SCALE: _____

NTS

FILE: UST12.dwg

SHEET: _____ OF _____

REV: _____